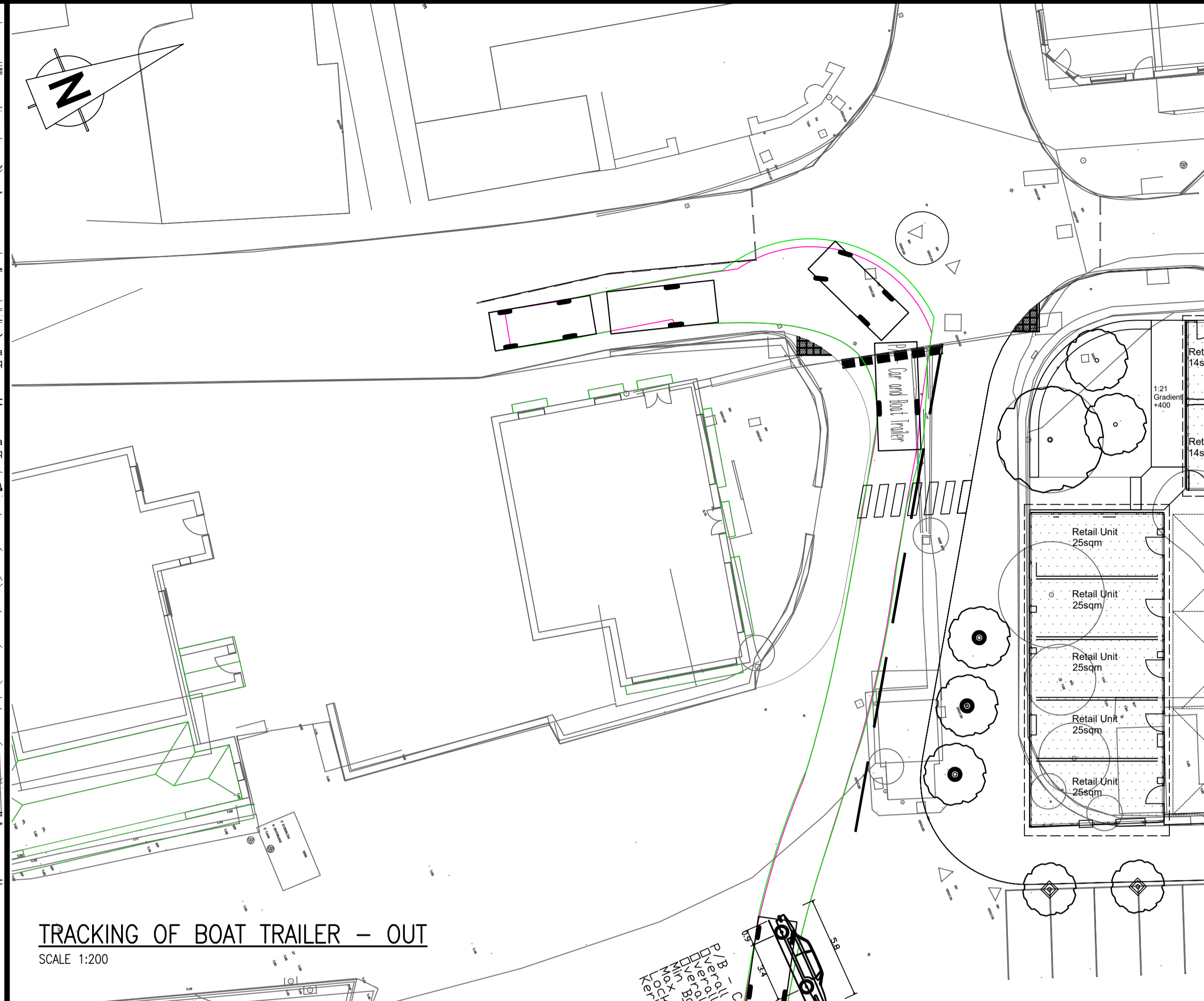
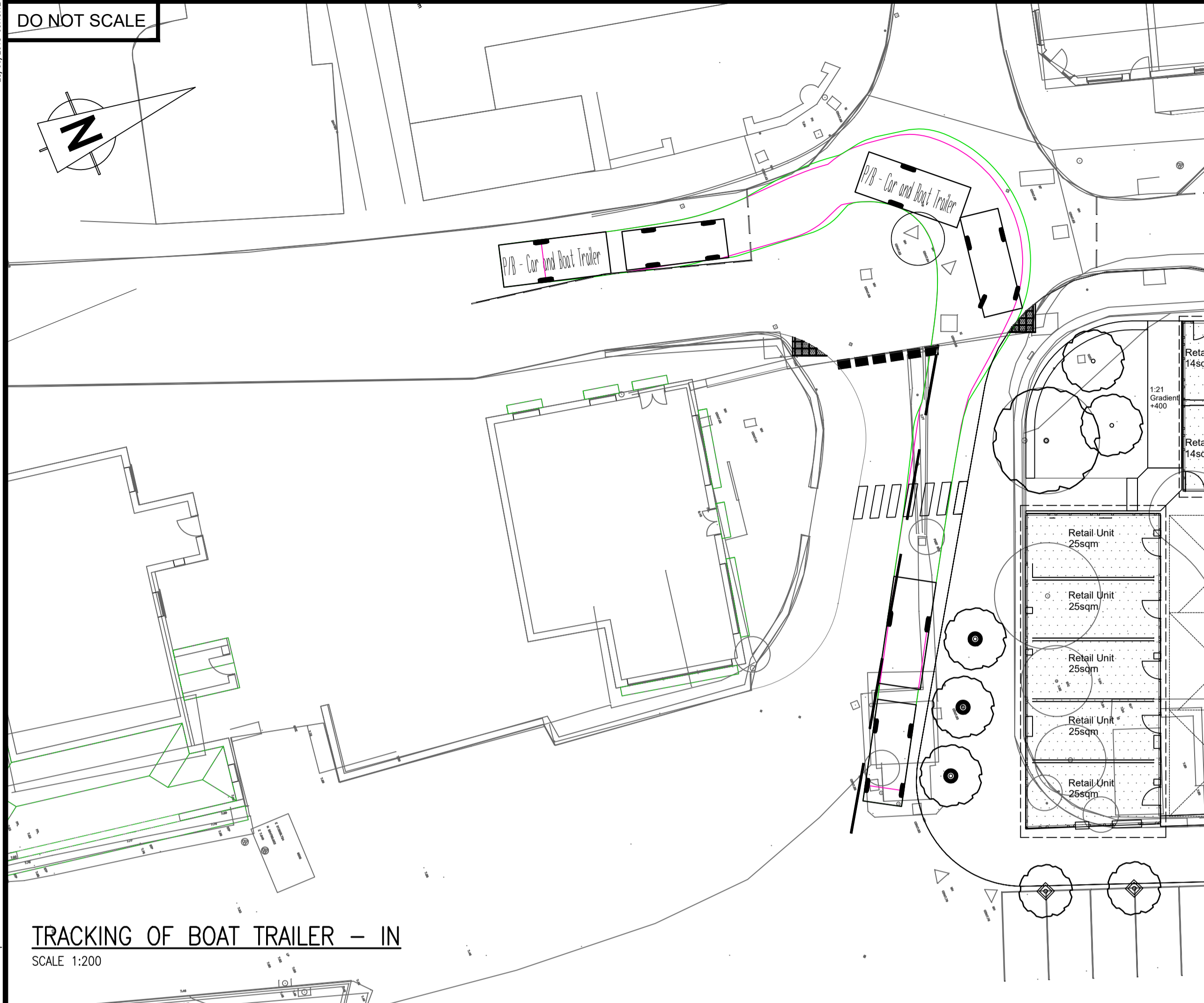


RCA Document Reference: RCA A1 Landscape Version 1  
R:\RCA Job Files\19526 - International Coastal Centre Saundersfoot\F - RCA Civil Drawings\19526-03.dwg



**NOTES:**

THE PROPERTY OF THIS DRAWING AND DESIGN IS VESTED IN ROGER CASEY ASSOCIATES AND MUST NOT BE COPIED OR REPRODUCED IN ANY WAY WITHOUT THE WRITTEN CONSENT OF ROGER CASEY ASSOCIATES.

THE CONTRACTOR IS TO CHECK ALL LEVELS AND DIMENSIONS BEFORE WORK COMMENCES, AND ANY DISCREPANCIES TO BE REPORTED IMMEDIATELY TO THE CONSULTANTS.

WORK TO FIGURED DIMENSIONS IN PREFERENCE TO SCALING.

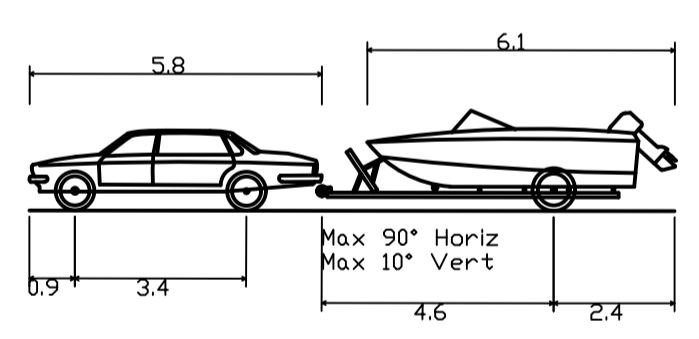
THIS DRAWING IS TO BE READ IN CONJUNCTION WITH ALL OTHER ROGER CASEY ASSOCIATES DRAWINGS AND SPECIFICATIONS AND ALL OTHER CONSULTANTS DRAWINGS AND SPECIFICATIONS RELATING TO THIS PROJECT.

**VEHICLE TRACKING LEGEND**

- BODY OUTLINES ENVELOPE (FORWARD) ———
- CHASSIS OUTLINES ENVELOPE (FORWARD) ———
- BODY OUTLINES ENVELOPE (REVERSE) - - - - -
- CHASSIS OUTLINES ENVELOPE (REVERSE) - - - - -

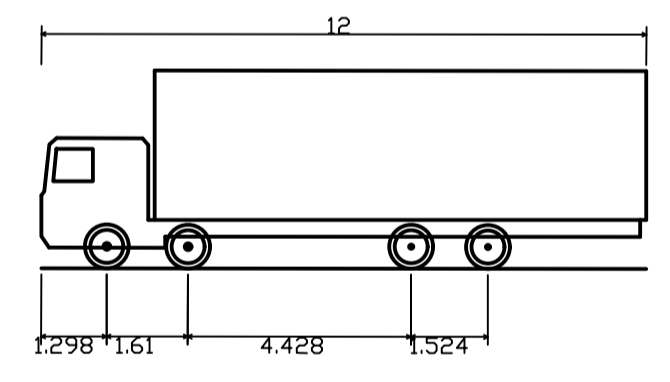
REV	DESCRIPTION	DRAWING STATUS	DATE

**TRACKING TEMPLATES**



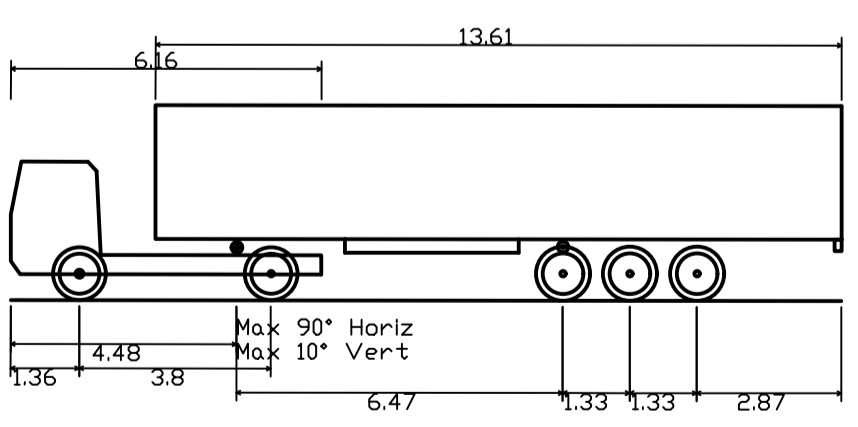
**P/B - Car and Boat Trailer**

Overall Length	12.800m
Overall Width	2.400m
Overall Body Height	1.987m
Min Body Ground Clearance	0.273m
Max Track Width	2.400m
Lock to lock time	4.00s
Kerb to Kerb Turning Radius	7.300m



**Rigid Truck**

Overall Length	12.000m
Overall Width	2.500m
Overall Body Height	3.928m
Min Body Ground Clearance	0.412m
Track Width	2.471m
Lock to lock time	6.00s
Kerb to Kerb Turning Radius	11.900m



**FTA Design Articulated Vehicle (1998)**

Overall Length	16.480m
Overall Width	6.550m
Overall Body Height	3.970m
Min Body Ground Clearance	0.515m
Max Track Width	4.470m
Lock to lock time	6.00s
Kerb to Kerb Turning Radius	6.550m

**PLANNING**

**Roger Casey Associates**  
Consulting Civil & Structural Engineers

Ty Mansel, 6 Mansel Street,  
Carmarthen,  
Carmarthenshire SA31 1PX  
T: 01267 222 646

Units 10 & 11, Merlin's Court,  
Winch Lane, Haverfordwest,  
Pembrokeshire SA61 1SB  
T: 01437 762 795

E: office@rca-eng.co.uk  
W: www.rca-eng.co.uk

CLIENT:  
**WALES INTERNATIONAL COASTAL CENTRE**

ARCHITECT:  
**powelldobson**

PROJECT:  
**OCEAN SQUARE, SAUNDERSFOOT HARBOUR REGENERATION, SAUNDERSFOOT, PEMBS**

DRAWING TITLE:  
**VEHICLE TRACKING RESULTS 2/2**

DRAWN BY: GWP	DESIGN BY: GWP	CHECKED BY: PWJL	DATE: 23/05/18
SCALES: 1:150	DRAWING No.:	REVISION:	

ORIGINAL DRAWING A1  
© Roger Casey Associates Limited 2018

DRAWING No. **19526/06**